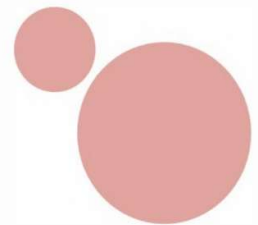


PT.INDIRA MITRA BOILER

Expert In Industrial Energy

021-59375021 | info@burnerstock.co.id

Thermal Oil Boiler



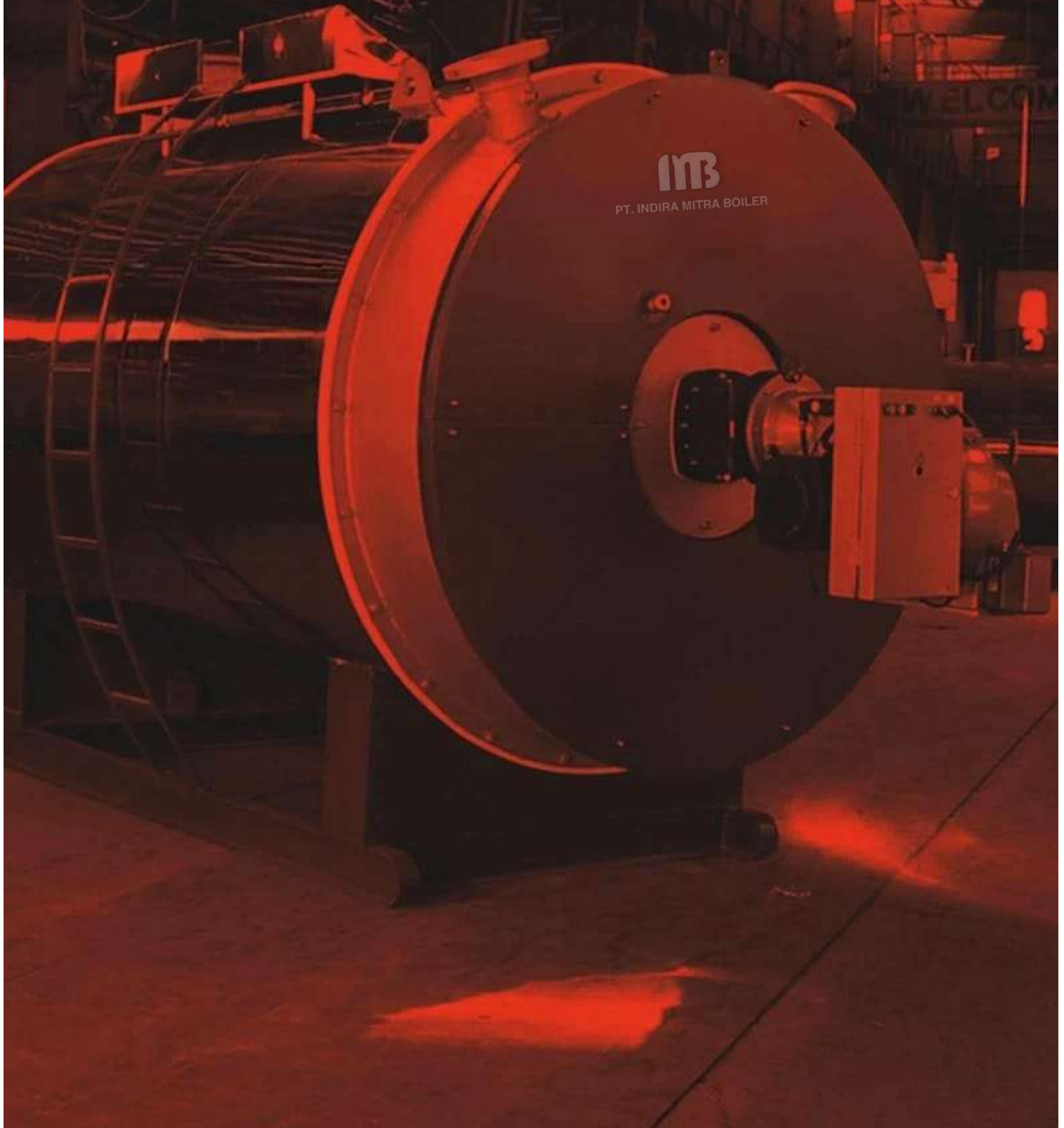
**Emerald Residence Sepatan Ruko 8i, RT.02/RW.005,
Kosambi, Kec. Sukadiri, Kabupaten Tangerang,
Banten
(15530)**



IMB

PT. INDIRA MITRA BOILER

Thermal Oil Boiler



IMB
PT. INDIRA MITRA BOILER

WELCOME

Product Description

Thermal Oil Heaters are widely used to supply heat up to 350°C at very low pressure, typically just the pressure required to pump the oil through the system. Whereas other heating fluids would require a pressure of 85 bar to achieve this temperature.

In (typical) industrial processes a high temperature fluid is often required, and achieving this steam can be controversial and expensive.

Steam is typically used as a heat medium in heating systems. But at high temperatures, steam requires a corresponding high operating pressure.

Steam is typically used as a heat medium in heating systems. But at high temperatures, steam requires a corresponding high operating pressure. In (typical) industrial processes a high temperature fluid is often required, and achieving this steam can be controversial and expensive.

Thermal oil heaters are widely used to supply heat up to 300°C at very low pressure, typically just the pressure required to pump the oil through the system. Whereas other heating fluids would require a pressure of 85 bar to achieve this temperature.

Advantages

Oil Heating Systems, in comparison to other heating systems like the producing steam offer many advantages, which can be listed as follows:

- Low pressure
- High temperature (Consequently smaller heating surface is required)
- No risk of corrosion (Oil is an effective preservative, thus the system's life would be considerably longer) than other heating systems
- No risk of freezing when the plant is shut down
- No scale deposits
- No softener required for pretreatment of the boiler feed
- No chemical dosing system required
- No heat loss due to hot condensate and flash steam
- No steam trap required
- No Blow down system needed
- No risk of compressed gas explosion
- No deaerator or condensation tank required

- No vacuum Breaker needed
- No supervision required
- Less necessary maintenance
- Higher performance & efficiency
- More safety
- More reliability
- Accurate temperature control is possible
- Quiet operation (no steam stroke & flash steam noise)
- Easy to operate
- Robust construction
- Glue industry
- Food processing industry
- Metal industry
- Tyre industry
- Design & Construction
- Paint & varnish industry
- Packing & packaging industry
- Glass industry
- Industrial laundries

Industrial Applications

Thermal oil heaters are used in the following industries:

- Cement industry
- Chemical / petrochemical industry
- Polymer industry
- Textile industry
- Leather industry
- Oil industry
- Bitumen & Tar processing industry
- Paper mills industry
- Wood industry
- Soap & Detergent industry
- Pharmaceutical industry

The design & construction of Thermal Oil Heaters require special skills. Due to the fact that we have a permanent top level quality control, we can offer Thermal Oil Heaters featuring the best heating surface, efficiency, safety, reliability & durability. The design is based on a forced circulation. The heater consists of two sets of tubes which are coiled to form 2 coaxial cylinder. The flue gas is conducted in a threepass counter flow system as described below:

1st Pass - The radiant heat of the burner's flame is transferred to the thermal oil in the main combustion chamber.

2nd Pass - Combustion gases then pass through the space between th

inner and outer coiled tube, where the heat is transferred by convection.

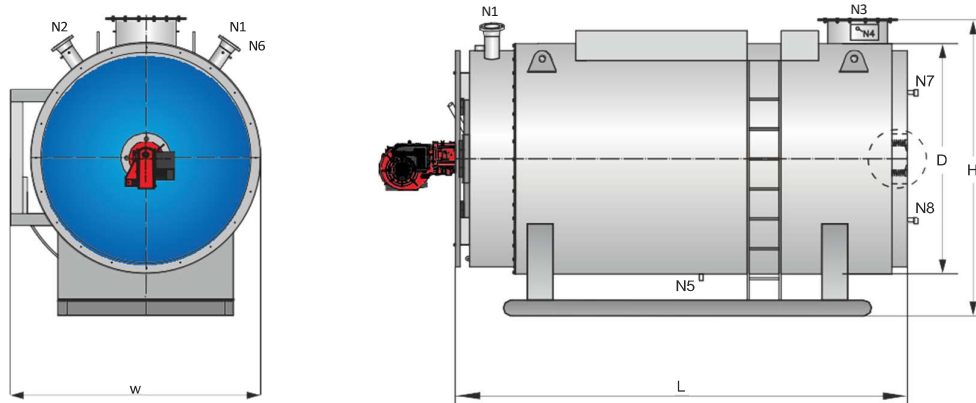
3rd Pass - The last convection pass is between the outer coil and the heater's shell, where combustion gases are here after cooled.

This design ensures that maximum heat transfer is achieved before the combustion gases exit the heater, it is warranting high thermal efficiency. Maximum heat transfer is also affected by thermal fluid's velocity and heating surface area. In order to achieve maximum heat transfer and low pressure drop and also to protect oil from degradation, the optimum fluid velocity and heat flux rate must be achieved and maintained which is possible through optimum design of coil's cross sectional area. The design philosophy ensures that the film temperature in tubes is not exceeded beyond its permissible limits for parts of the tubes exposed to flame impingement. We carry out thorough analysis to determine whether this temperature requirement is met. The maximum film temperature is then used to calculate the service life of thermal oil. It should be noted that for the case of thermal oil, low film temperature, ensures longer life. We provide modest volume of the thermal oil while considering the heater's capacity. Our design also provides the necessary means for safe thermal expansion due to high temperature of the oil. Furthermore, coil's life is extended by optimizing length to diameter ratio and heat flux rate.

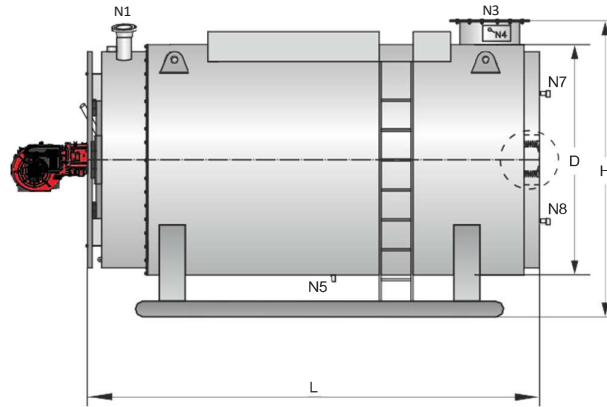
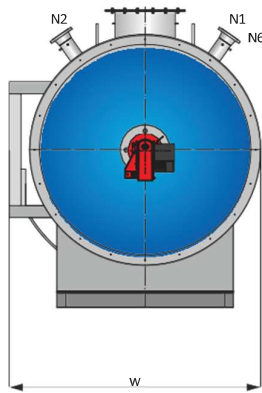
Packman supplies a comprehensive set of safety control systems for thermal oil heaters. The logic of control elements comply with the stringent regulations enforced by DIN 4754. There are many safety interlocks, incorporated in the system. All of our heaters provide continuous flow monitoring by means of differential pressure controllers. The flow monitoring is an essential feature in oil heating systems, as it measures and monitors the minimum flow rate. If the flow rate drops below a certain minimum value, the firing will be shut down.

Also the thermostats measuring the temperature of flue gases, supply and return oil are connected to the firing system and shall prevent an inadmissible temperature rise in the system. A level switch is also included in the expansion tank which is connected to the feed pump and the burner.

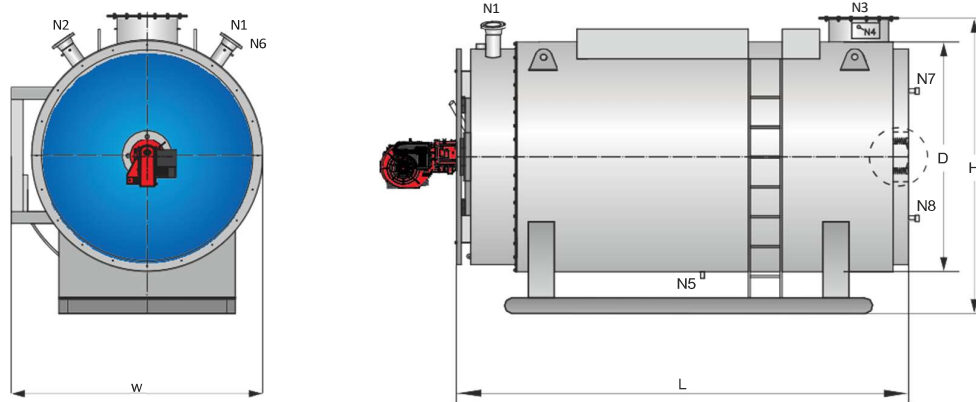
Packman will integrate your desired control requirements from basic relay logic to advanced PLC in order to interface with your plant.



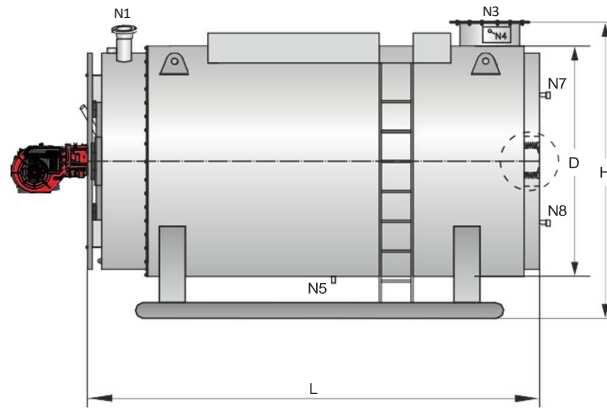
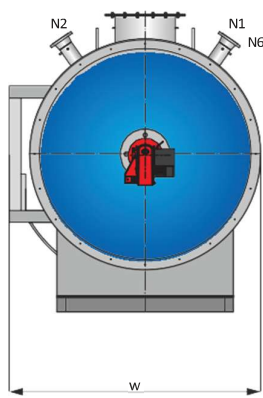
Item No.	Description	Specification
Design Data		
1	Heater Configuration	Horizontal
2	Heating Capacity Range	From 250.000 to 4.000.000 Kcal/hr
3	Max. Operating temp. of Thermal Oil	300 °C
4	Design Temp. of Thermal Oil	350 °C
5	Differential Temp. Of Thermal Oil	25 °C or 40 °C
6	Permissible Operating Pressure	8.5 bar g
7	Design pressure	10 bar g
8	Pneumatic Or Hydrostatic Test Pressure	15 bar g
9	Thermal Efficiency	83-85%
10	No. Of Circulation Of Flue gasses	3 pass
11	Coil Material	St 35.8 according to DIN 17175
12	Shell Material	17 Mn 4 according to DIN 17155 (1.0481)
13	Return Chamber Material	17 Mn 4 according to DIN 17155 (1.0481)
14	Heater Standard	According to DIN 4754
15	Shell Insulation	Rock wool, Thk, 150 mm, Density 120 kg/m ³
16	Shell Cover	Stainless steel SS 304, Thk. 1.5 mm
17	Test Typ	100% Radiography, Pneumatic, Penetration



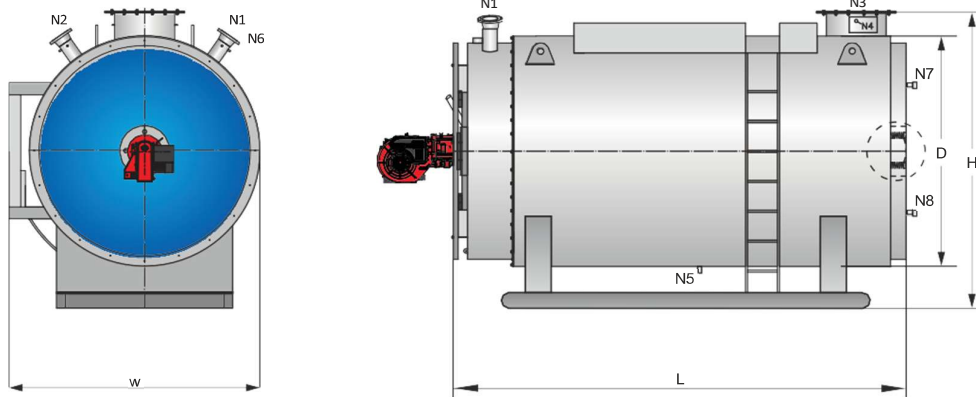
Model	Unit	PTOH-250	PTOH-500	PTOH-600	PTOH-750	PTOH-800	PTOH-1000
Lengths							
Thermal Capacity	kw	300	600	700	900	950	1,150
Thermal Capacity	kcal/hr	250,000	500,000	600,000	750,000	800,000	1,000,000
Boiler Type	-	Three Pass					
Working Pressure	bar	Up to 16					
Pressure Drop in Combustion Chamber	mbar	2.2	2.5	3.1	3.9	4.2	5.9
Design Standard	-	DIN 4754					
Max Gas Consumption @Sea Level	m ³ /hr	30	60	70	90	95	115
Max Fuel Oil Consumption @Sea Level	litr/hr	25	50	58	75	79	96
Max Heavy Fuel Oil Consumption @Sea Level	litr/hr	21	43	50	64	68	82
Connectoins							
Oil Outlet (N2)	in	2	2	2	3	3	4
Oil Inlet (N1)	in	2	2	2	3	3	4
Condensate Discharge (N5)	in	1	1	1	1	1	1
Thermo Meter (N4)	in	1/2	1/2	1/2	1/2	1/2	1/2
Instrument Manifold (N6)	in	1/2	1/2	1/2	1/2	1/2	1/2
Venting Valve (N7)	in	1	1	1	1	1	1
Drainage Valve (N8)	in	1	1	1	1 1/2	1 1/2	1 1/2
Stack I.D. (N3)	mm	250	250	300	350	400	400
Boiler Dimensions							
Lengths (L)	mm	1,980	2,400	2,700	3,130	3,200	3,400
Width (W)	mm	1,460	1,600	1,600	1,600	1,750	1,980
Height (H)	mm	1,920	2,100	2,100	2,100	2,200	2,500
Min Front Clearance	mm	1,386	1,680	1,890	2,191	2,240	2,380
Min Rear Clearance	mm	1,000	1,000	1,000	1,000	1,000	1,000
Min Side Clearance	mm	1,000	1,000	1,000	1,000	1,000	1,000



Model	Unit	PTOH-1250	PTOH-1500	PTOH-1750	PTOH-2000	PTOH-2250	PTOH-2500
Lengths							
Thermal Capacity	kw	1,500	1,750	2,000	2,500	2,750	3,000
Thermal Capacity	kc al/hr	1,250,000	1,500,000	1,750,000	2,000,000	2,250,000	2,500,000
Boiler Type	-	Three Pass					
Working Pressure	bar	Up to 16					
Pressure Drop in Combustion Chamber	mbar	4.1	4.8	4.2	6.7	5.1	5.1
Design Standard	-	DIN 4754					
Max Gas Consumption @Sea Level	m ³ /hr	150	175	200	250	275	300
Max Fuel Oil Consumption @Sea Level	litr/hr	125	146	167	208	229	250
Max Heavy Fuel Oil Consumption @Sea Level	litr/hr	107	125	143	179	196	214
Connectoins							
Oil Outlet (N2)	in	4	4	5	6	6	6
Oil Inlet (N1)	in	4	4	5	6	6	6
Condensate Discharge (N5)	in	1	1	1	1	1	1
Thermo Meter (N4)	in	1/2	1/2	1/2	1/2	1/2	1/2
Instrument Manifold (N6)	in	1/2	1/2	1/2	1/2	1/2	1/2
Venting Valve (N7)	in	1	1	1	1	1	1
Drainage Valve (N8)	in	1 1/2	1 1/2	1 1/2	1 1/2	1 1/2	1 1/2
Stack I.D. (N3)	mm	450	450	500	600	600	600
Boiler Dimensions							
Lengths (L)	mm	3,580	3,620	3,620	3,750	4,000	4,400
Width (W)	mm	2,020	2,020	2,300	2,300	2,300	2,400
Height (H)	mm	2,600	2,600	2,750	2,870	2,870	3,040
Min Front Clearance	mm	2,506	2,534	2,534	2,625	2,800	3,080
Min Rear Clearance	mm	1,000	1,000	1,000	1,000	1,000	1,000
Min Side Clearance	mm	1,000	1,000	1,000	1,000	1,000	1,000



Model	Unit	PTOH-2750	PTOH-3000	PTOH-3250	PTOH-3500
Lengths					
Thermal Capacity	kw	3,200	3,500	3,750	4,000
Thermal Capacity	kcal/hr	2,750,000	3,000,000	3,250,000	3,500,000
Boiler Type	-	Three Pass			
Working Pressure	bar	Up to 16			
Pressure Drop in Combustion Chamber	mbar	5.5	6.3	6.0	5.9
Design Standard	-	DIN 4754			
Max Gas Consumption @Sea Level	m ³ /hr	320	350	375	400
Max Fuel Oil Consumption @Sea Level	litr/hr	267	292	313	333
Max Heavy Fuel Oil Consumption @Sea Level	litr/hr	229	250	268	286
Connectoins					
Oil Outlet (N2)	in	8	8	8	8
Oil Inlet (N1)	in	8	8	8	8
Condensate Discharge (N5)	in	1	1	1	1
Thermo Meter (N4)	in	1/2	1/2	1/2	1/2
Instrument Manifold (N6)	in	1/2	1/2	1/2	1/2
Venting Valve (N7)	in	1	1	1	1
Drainage Valve (N8)	in	1 1/2	1 1/2	1 1/2	1 1/2
Stack I.D. (N3)	mm	750	750	750	750
Boiler Dimensions					
Lengths (L)	mm	5,140	5,140	5,500	5,730
Width (W)	mm	2,500	2,500	2,500	2,500
Height (H)	mm	3,100	3,100	3,100	3,100
Min Front Clearance	mm	3,598	3,598	3,850	4,011
Min Rear Clearance	mm	1,500	1,500	1,500	1,500
Min Side Clearance	mm	1,500	1,500	1,500	1,500



Model	Unit	PTOH-3750	PTOH-4000	PTOH-5000	PTOH-6000
Lengths					
Thermal Capacity	kw	4,500	5,000	6,000	7,000
Thermal Capacity	kc al/hr	3,750,000	4,000,000	5,000,000	6,000,000
Boiler Type	-	Three Pass			
Working Pressure	bar	Up to 16			
Pressure Drop in Combustion Chamber	mbar	6.5	6.7	7.2	7.0
Design Standard	-	DIN 4754			
Max Gas Consumption @Sea Level	m ³ /hr	450	500	600	700
Max Fuel Oil Consumption @ Sea Level	litr/hr	375	417	500	583
Max Heavy Fuel Oil Consumption @Sea Level	litr/hr	321	357	429	500
Connectoins					
Oil Outlet (N2)	in	8	10	10	10
Oil Inlet (N1)	in	8	10	10	10
Condensate Discharge (N5)	in	1	1	1	1
Thermo Meter (N4)	in	1/2	1/2	1/2	1/2
Instrument Manifold (N6)	in	1/2	1/2	1/2	1/2
Venting Valve (N7)	in	1	1	1	1
Drainage Valve (N8)	in	1 1/2	1 1/2	1 1/2	1 1/2
Stack I.D. (N3)	mm	800	900	900	900
Boiler Dimensions					
Lengths (L)	mm	6,500	6,800	7,000	7,500
Width (W)	mm	2,800	3,000	3,200	3,300
Height (H)	mm	3,200	3,300	3,300	3,500
Min Front Clearance	mm	4,550	4,760	4,900	5,250
Min Rear Clearance	mm	1,500	1,500	1,500	1,500
Min Side Clearance	mm	1,500	1,500	1,500	1,500



PT. INDIRA MITRA BOILER

IMB

History

Otherc: PT. Indira Mitra Boiler was originally established as PT. Indira Dwi Mitra in 2015. Initially, the company was engaged in the fabrication and sale of steam boilers, thermal oil boilers, and hot water boilers.

However, in 2023, PT. Indira Dwi Mitra decided to change its name to PT. Indira Mitra Boiler and expand its market reach.

Now, we focus not only on boiler sales but also on burners, pumps, pipes, and other industrial spare parts. This allows PT. Indira Mitra Boiler to provide the best solutions for the energy and utilities industry throughout Indonesia.

Thanks to its reliable performance and commitment to providing the best service to customers, PT. Indira Dwi Mitra has successfully built customer trust across various industrial sectors.

With the name change to PT. Indira Mitra Boiler in 2023, the company hopes to maintain long-term relationships with customers who have previously trusted PT. Indira Dwi Mitra. We also strive to stay abreast of the latest technological developments so we can provide energy-saving solutions for our customers.

Customer List



PT. INDIRA MITRA BOILER

- PUSPIPEK BATAN TEKNOLOGI, TANGERANG
- PT. EMPAT PILAR MITRA TEHNIK, BEKASI
- PT. WIJAYA TRIUTAMA PLYWOOD INDUSTRY
- PT. VELASTO INDONESIA, PURWAKARTA
- PT. APLUS PASIFIC
- PT. BUAJENG KALENGAN
- PT. CAKRAWALA MEGAH CEMERLANG
- PT. INTI MAKMUR INDONESIA
- PT. MAXIMA TEKINDO UTAMA, JAKARTA
- PT. ENERGY FEEDS INDONESIA, SEMARANG
- PT. SAHABAT UTAMA INDUSTRI, BATANG
- BPPT(BADAN PENGKAJIAN PENERAPAN TEKNOLOGI)
- PT. WASCO, TANGERANG
- PT. RANA GLOBAL, BEKASI
- PT. WASCO (ASPHALT)
- PT. PERTAMINA (PERSERO)
- PT. CARGILL INDONESIA
- PT. SO GOOD FOOD MANUFACTURIN



- PT. BUKAKA TEKNIK UTAMA, BOGOR
- PT. NOHARA ALTA INDONESIA
- PT. DAHANA PALNT SUBANG
- PT. FEED ENERGI INDONESIA
- PT. ORICA MAINING SERVICE
- PT. BANGKA CAKRA MANDIRI
- PT. PERMATA LAUTAN MANDIRI
- PT. ARMADA ARTA GRAHA
- HOTEL GARND ZURI (LOUNDRY)
- RSUD CENGKARENG, JAKARTA
- PT. WASKITA EPC
- PT. DAHANA SUBANG PERSERO
- PT. TIGA PILAR MITRA TEKNIK
- PT. ANEKA TEKNIK MANDIRI
- PT. EFFISIENSI GLOBALINDO
- PT. POSCO M-TECH
- PT. ABADI INTI MAKMUR
- NUSANTARA TERMINAL TERPADU
- HUMPUS TRANSPORTASI KIMI

021-59375021 | info@burnerstock.co.id